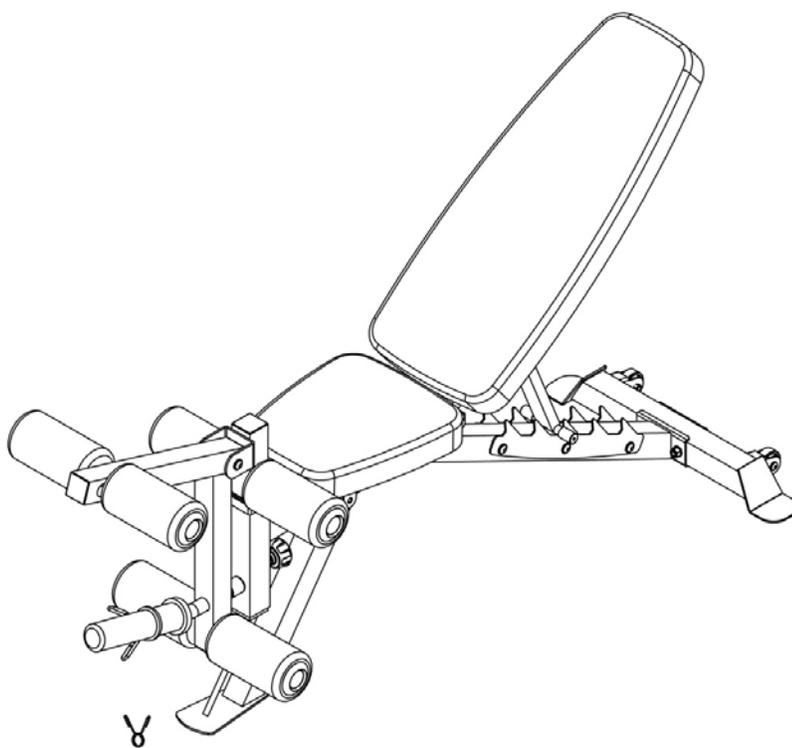


MARCY[®]

UTILITY BENCH

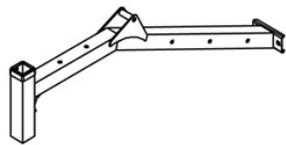
SB-350



IMPORTANT: Please read the Important Safety Notice and Assembly Information in the Owner's manual before assembling this product.

Assembly Manual

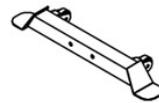
130626



① × 1



② × 1



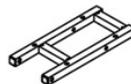
③ × 1



④ × 1



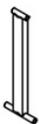
⑤ × 1



⑥ × 1



⑦ × 2



⑧ × 1



⑨ × 1



⑩ × 1



⑪ × 2



⑫ × 1



⑬ × 3



⑭ × 1



⑮ × 1



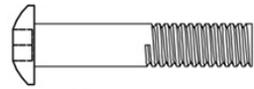
⑯ × 6



⑰ × 6



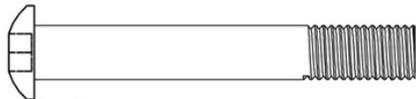
⑱ × 1



37 × 8



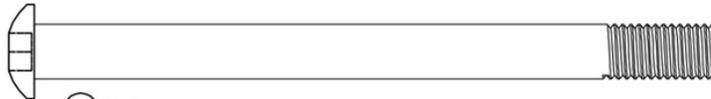
31 × 4



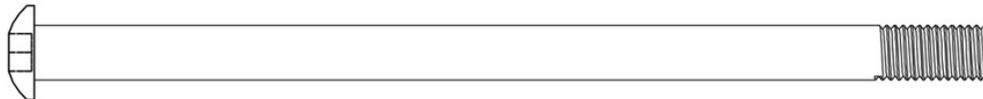
32 × 3



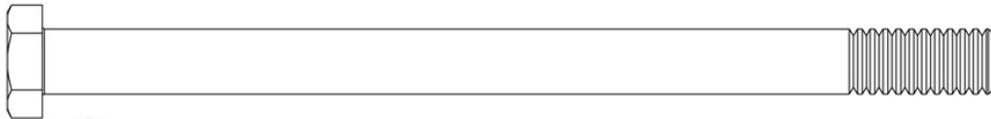
33 × 1



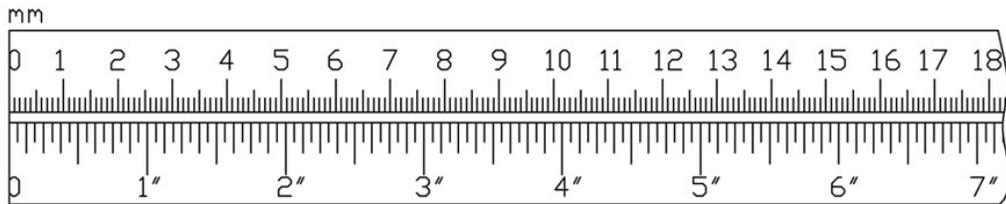
34 × 1

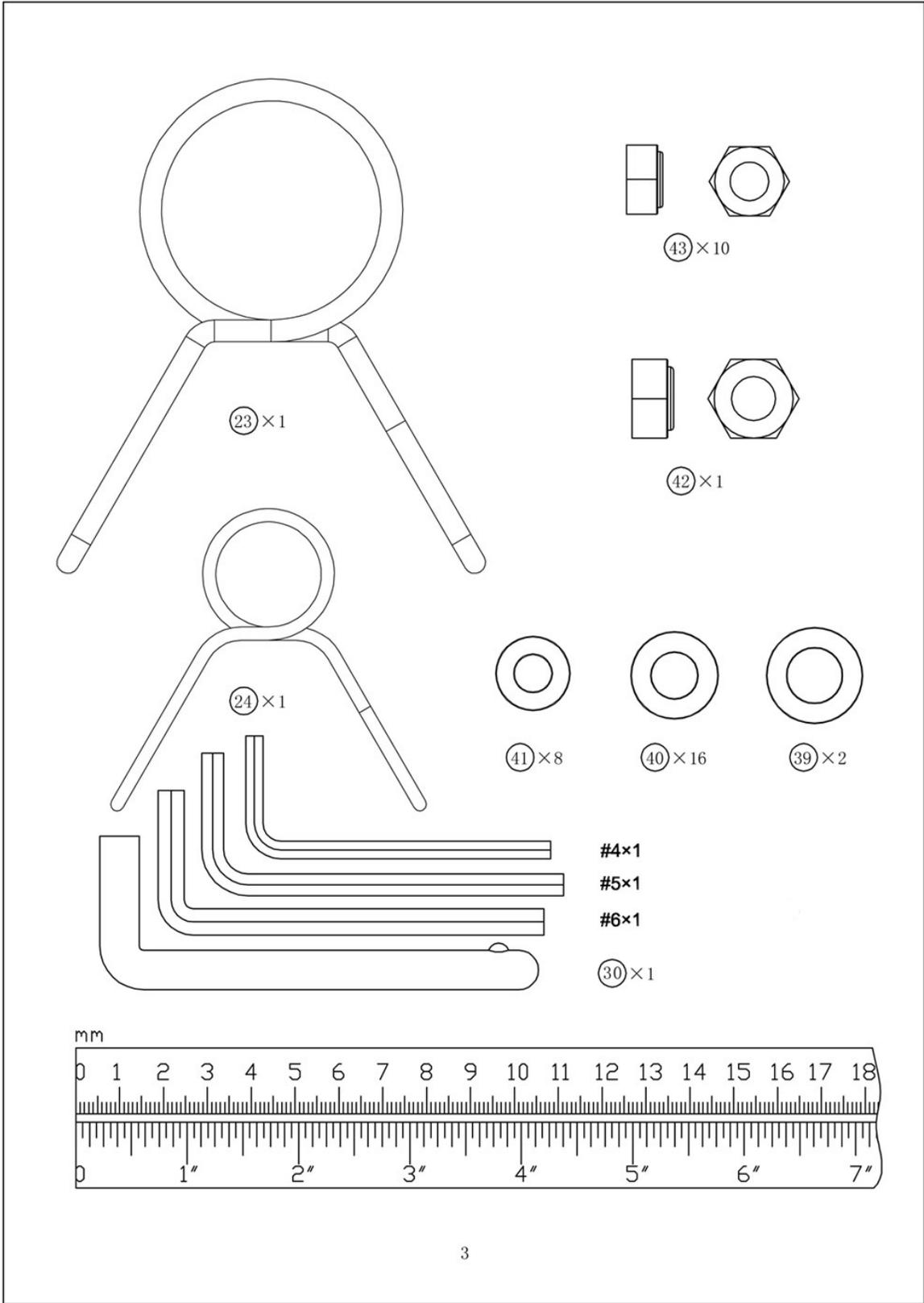


35 × 1



36 × 1

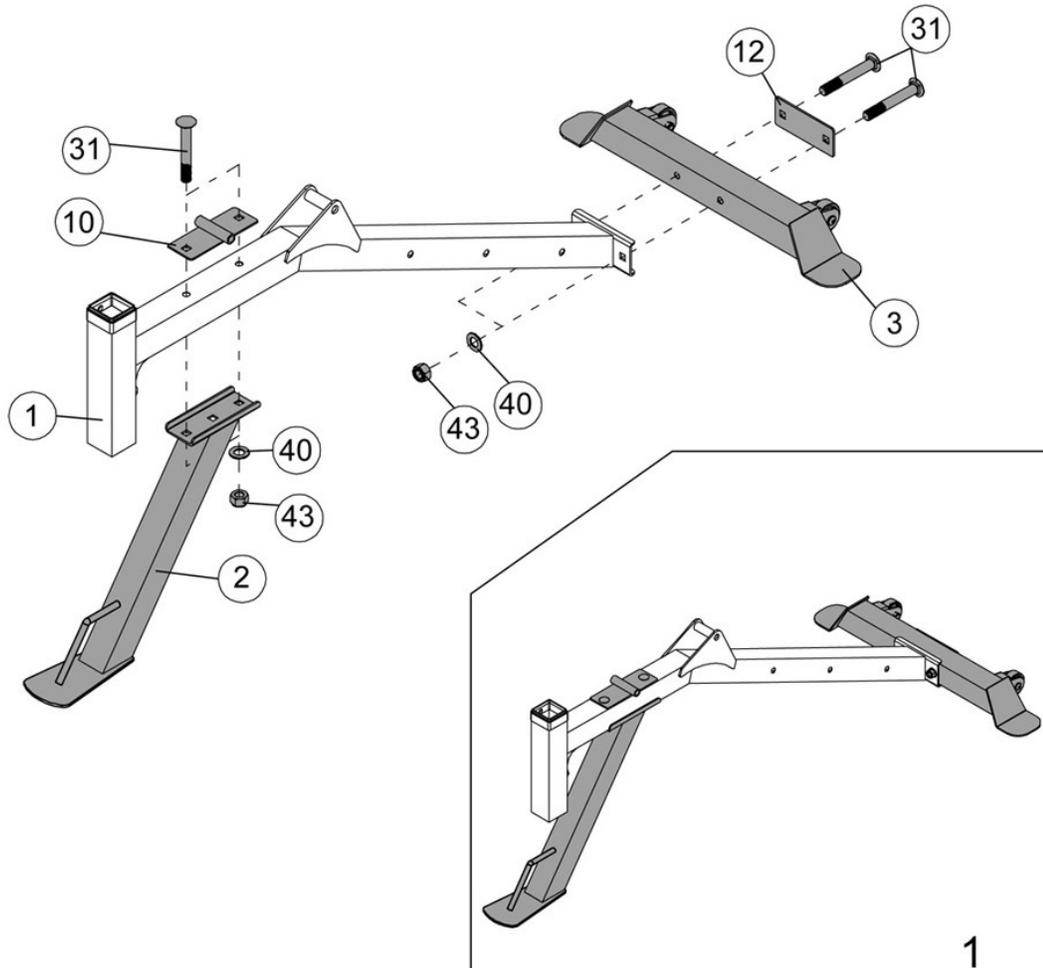
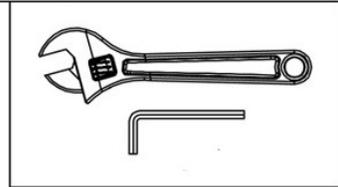


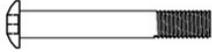


31  x4 M10x2 3/4"

40  x4 $\phi 3/4"$

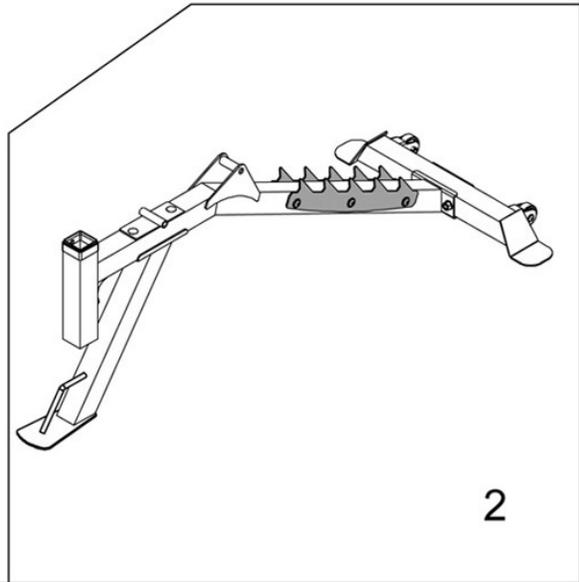
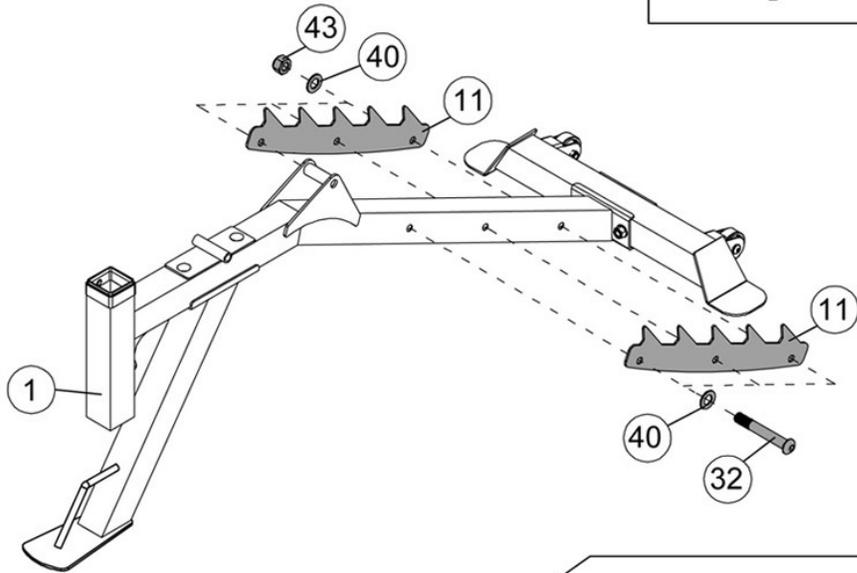
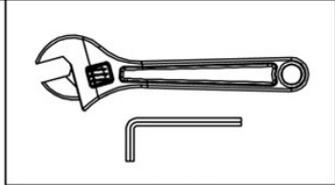
43  x4 M10

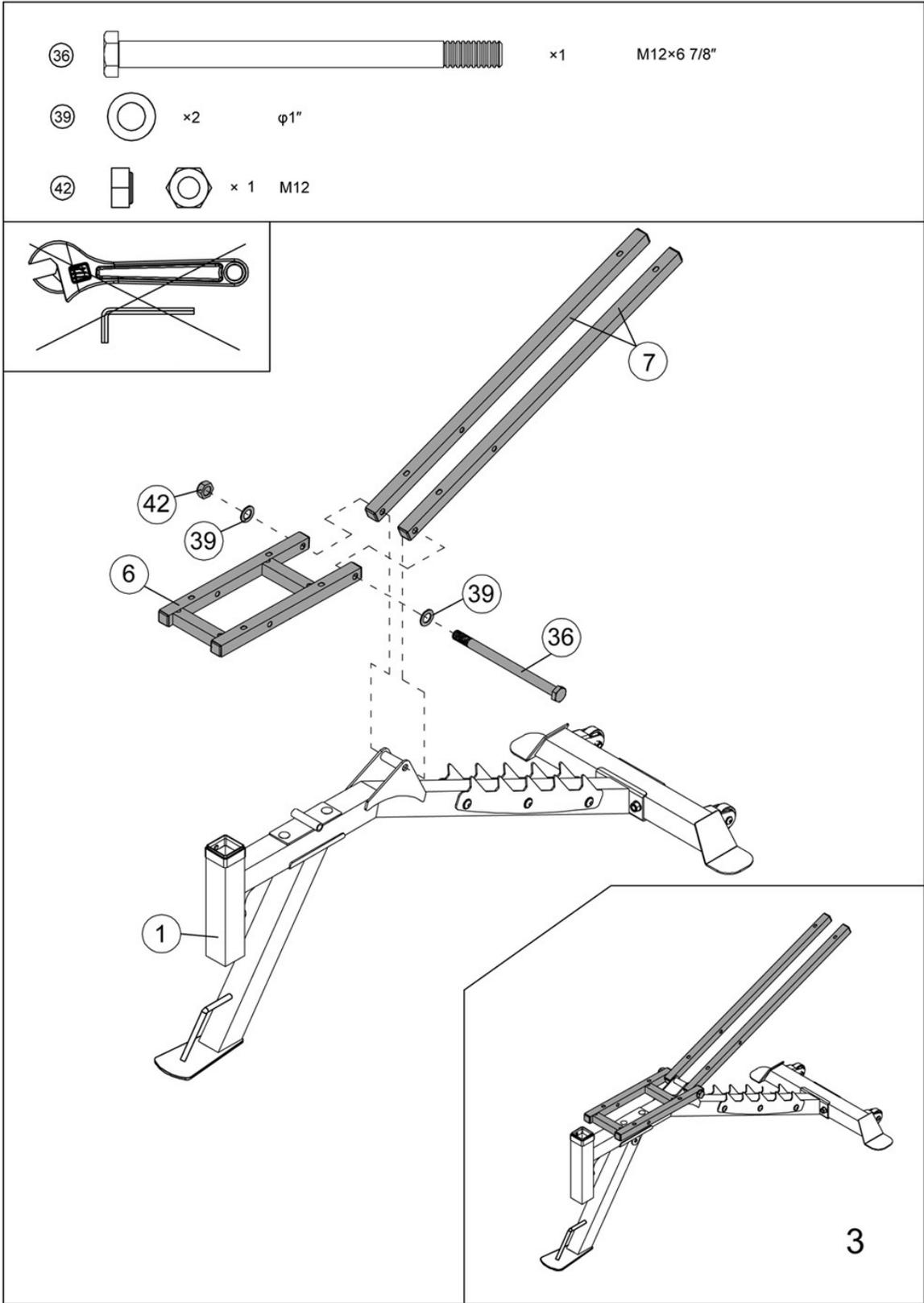


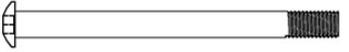
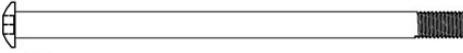
③②  ×3 M10×2 3/4"

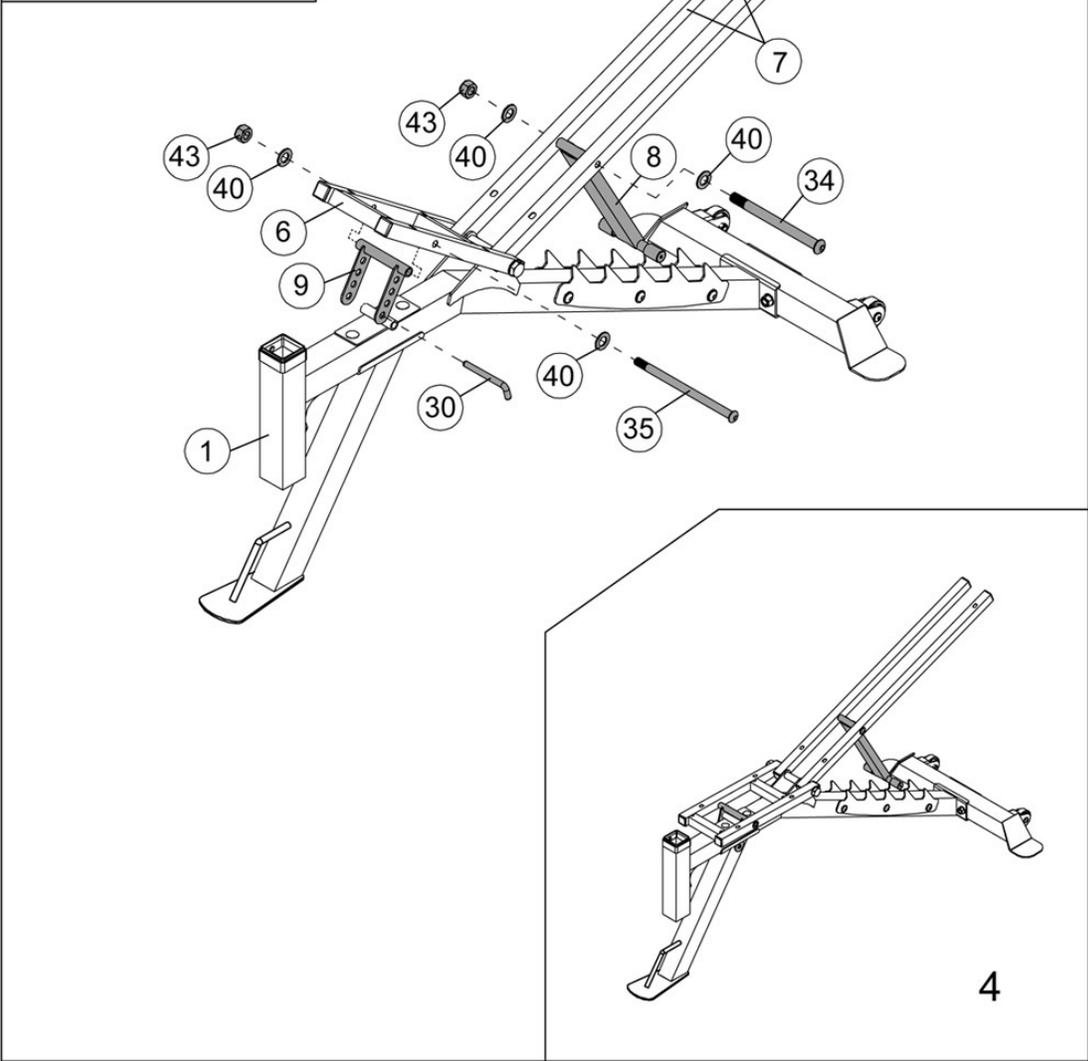
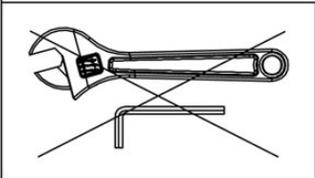
④①  ×6 φ3/4"

④③  ×3 M10



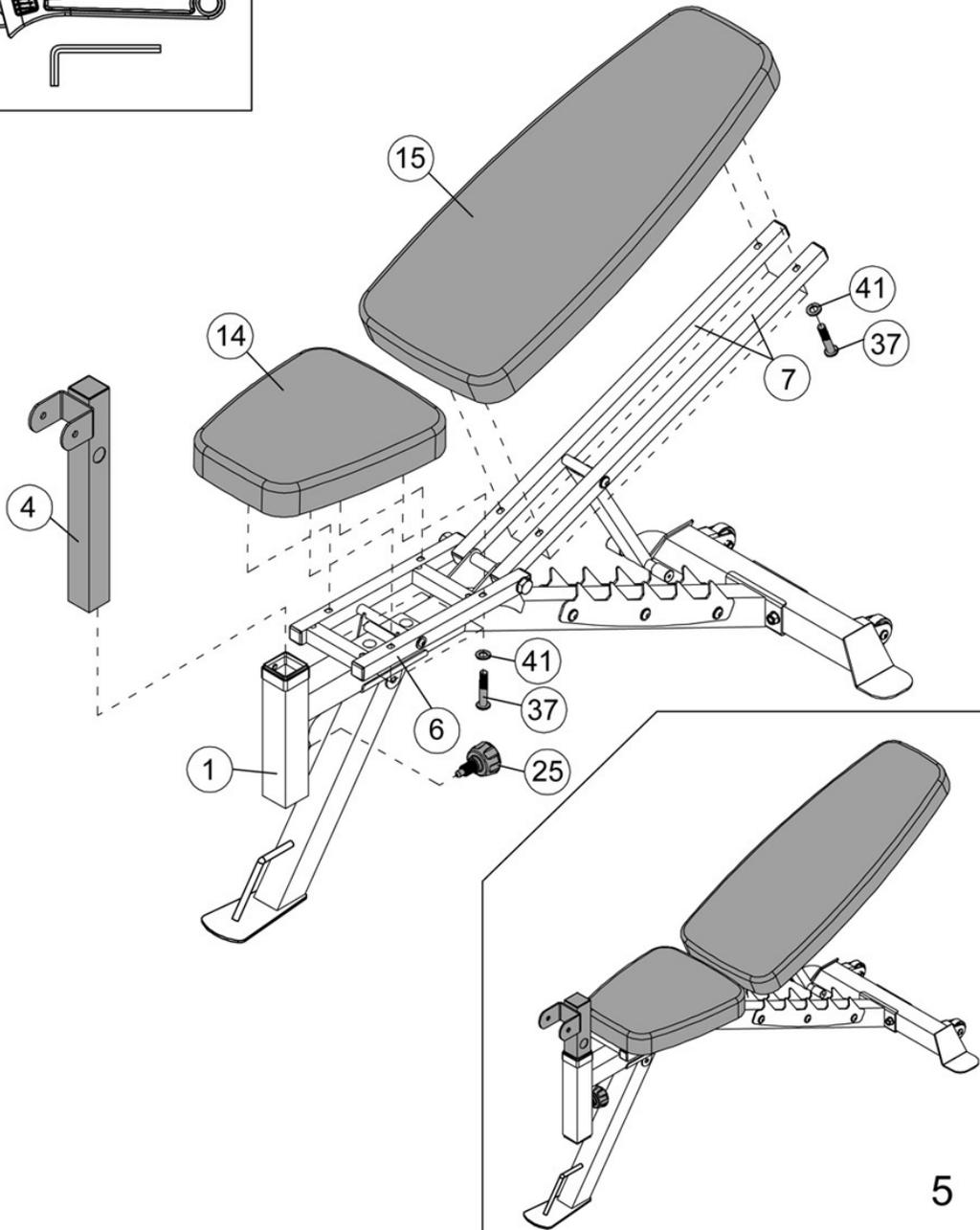
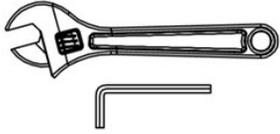


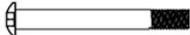
- ③④  ×1 M10×4 7/8"
- ③⑤  ×1 M10×6 7/8"
- ④①  ×4 $\varnothing\frac{3}{4}$ "
- ④③  ×2 M10

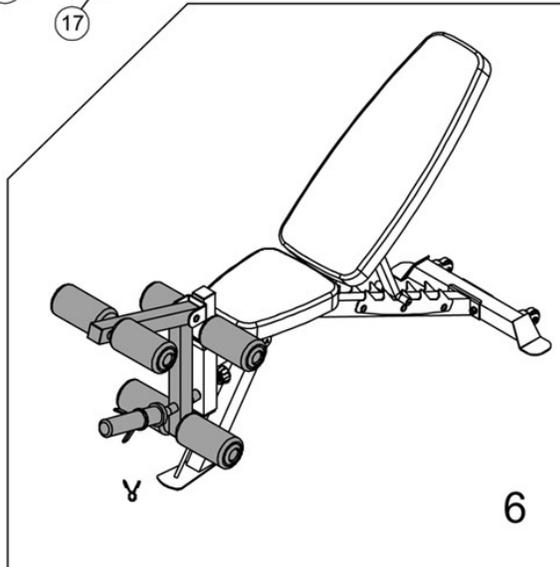
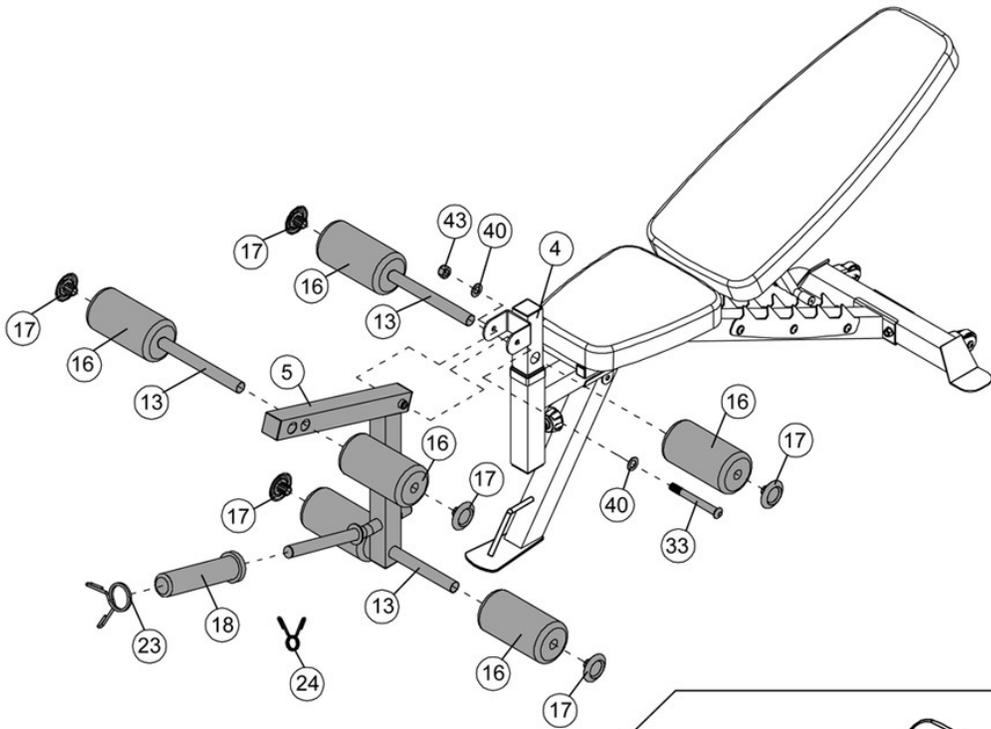


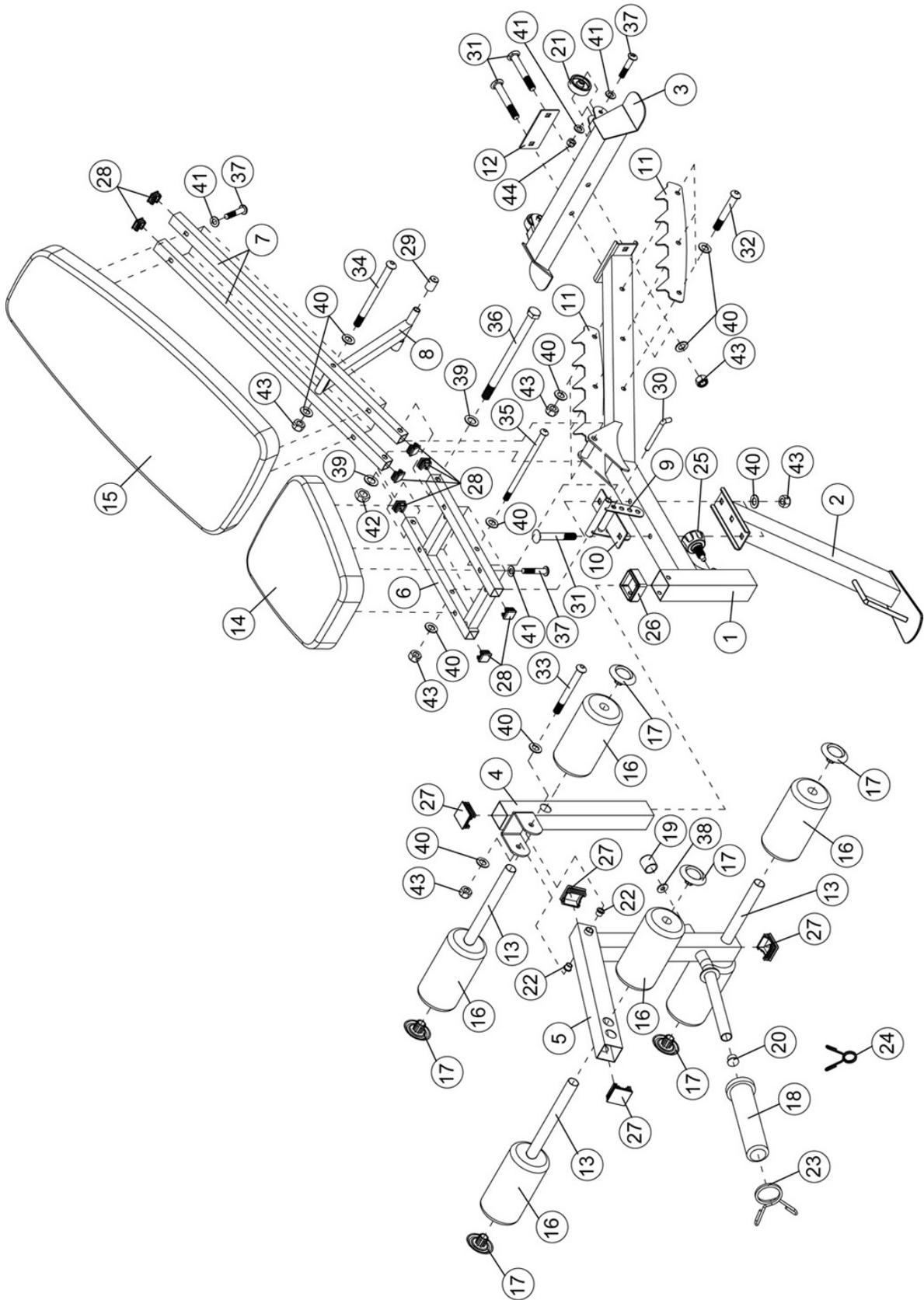
37  ×8 M8×1 5/8"

41  ×8 φ5/8"



- ③③  ×1 M10×3 1/2"
- ④④  ×2 φ3/4"
- ④③  ×1 M10





IMPEX[®] INC.

2801 S. Towne Ave, Pomona, CA 91766

Tel: (800) 999-8899 Fax: (626) 961-9966

www.impex-fitness.com

info@impex-fitness.com